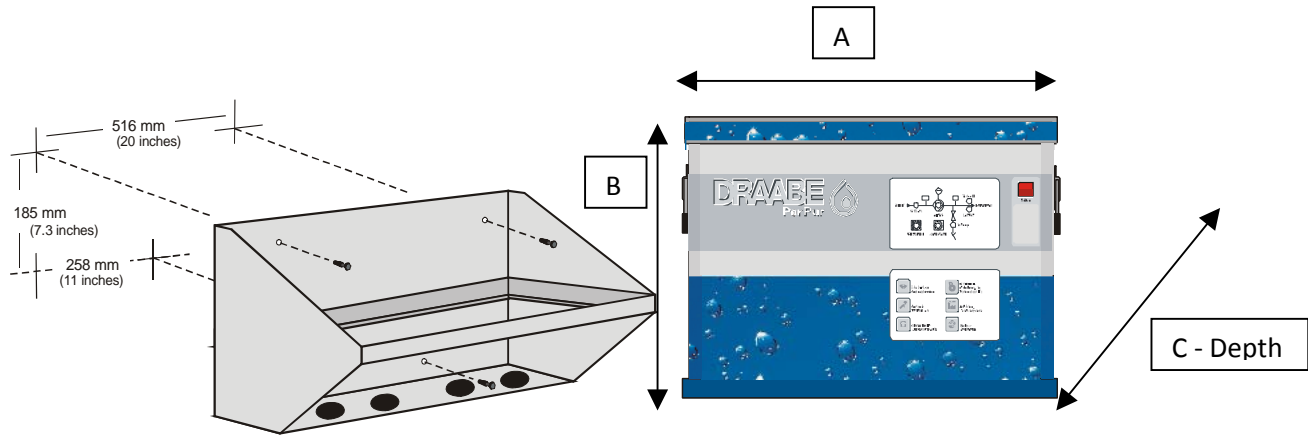


Container and Bracket Dimensional & Electrical Data



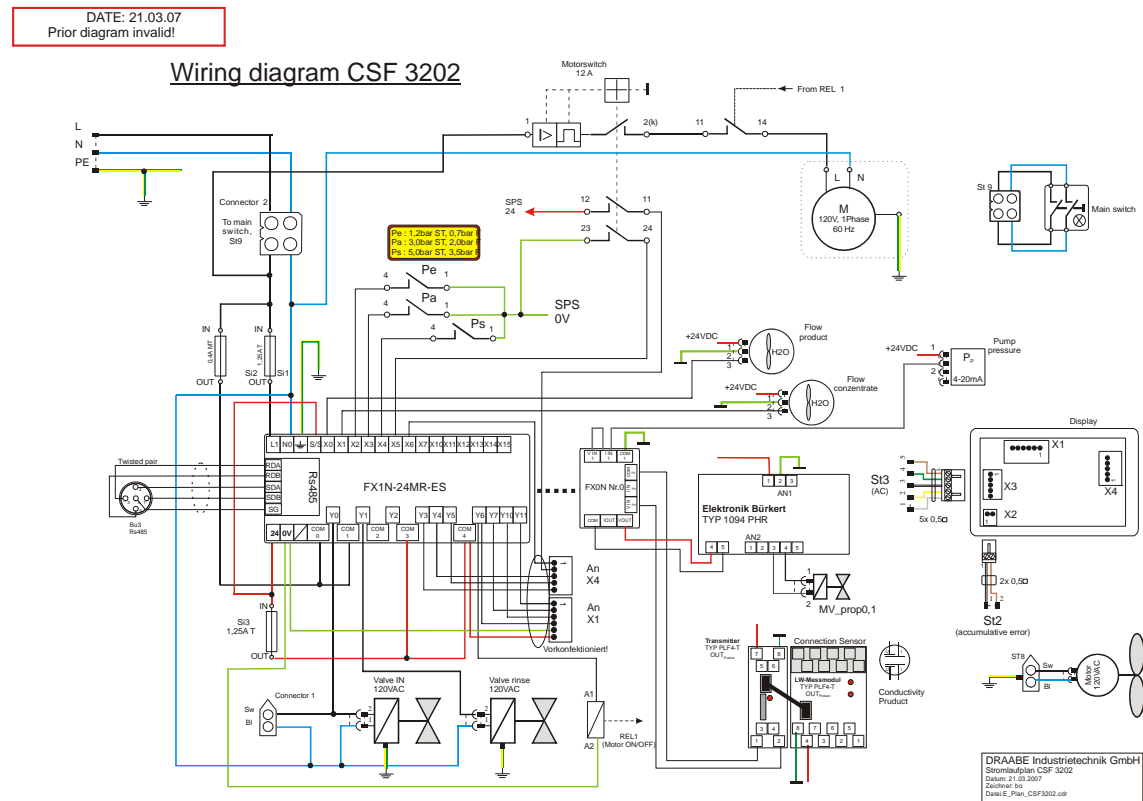
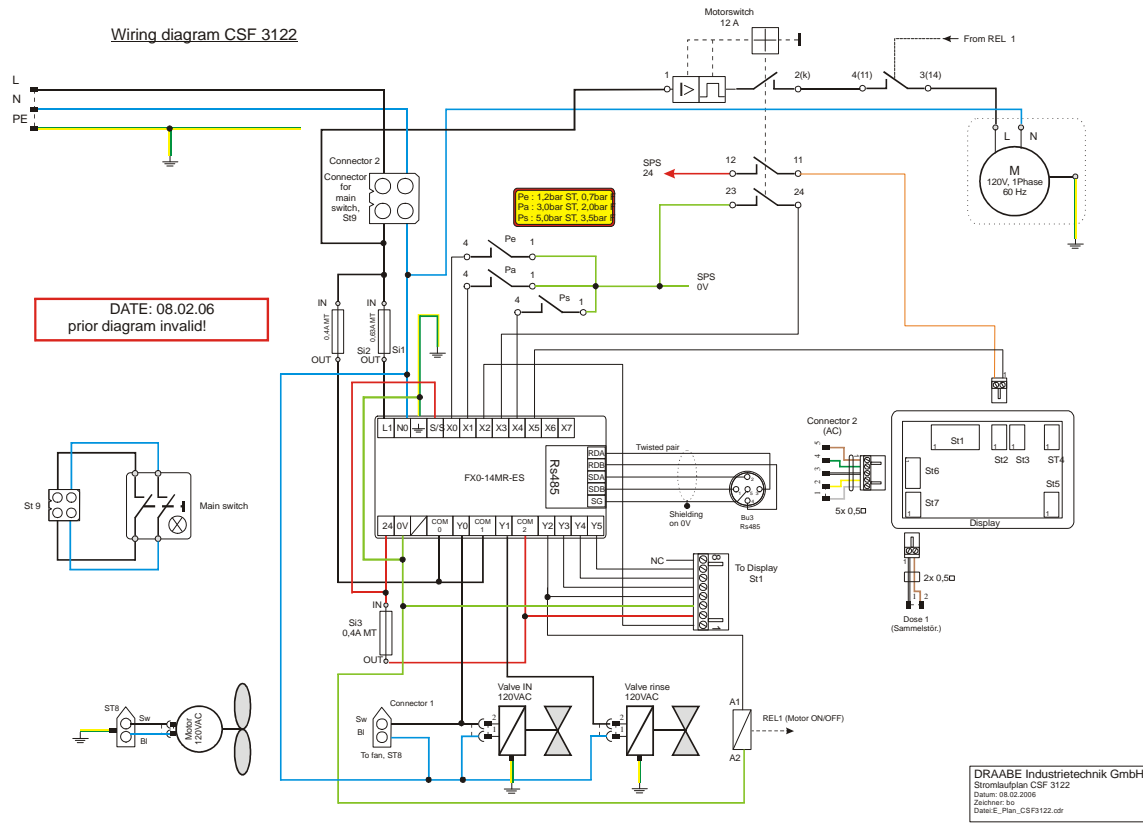
Model	PerPur120 CSF3122	PerPur200 CSF3202
Output Permeat	120 L/hr (265 lbs/hr - 760 GPD) +/- 10%	200 L/hr (440 lbs/hr - 1270 GPD) +/- 10%
Output Permeat/ Concentrate Ratio	60/40-80/20	65/35 +/-15
Operating Pressure Required	30 PSI Dynamic @ 3.4 L/min (.9 GPM)	30 PSI Dynamic @ 8.4 L/min (2.2 GPM)
Dimensions	A x B x C 600 x 400 x 400 mm 23.6 x 15.8 x 15.8 inches	A x B x C 600 x 400 x 400 mm 23.6 x 15.8 x 15.8 inches
Clearances	Top 50 cm (20 inches) Left 20 cm (8 inches) Right 20 cm (8 inches) Bottom 120 cm (48 inches) To allow for plumbing.	Top 50 cm (20 inches) Left 20 cm (8 inches) Right 20 cm (8 inches) Bottom 120 cm (48 inches) To allow for plumbing.
Weight	35 kg 77 lbs	52 kg 114.4 lbs
Operating voltage	120 VAC/ 1P 60Hz +/-10% Protection = 10 amp Breaker Required	120 VAC/ 1P 60Hz +/-10% Protection = 10 amp Breaker Required
Power consumption	960 W Max	960 W Max
Usage	Indoor Use Only	Indoor Use Only
Altitude above mean sea level	Max 6,670 ft	Max 6,670 ft
Ambient temperature	7-35°C (45-95°F)	7-35°C (45-95°F)
Ambient humidity	Max. 80 %, avoid condensation	Max. 80 %, avoid condensation

DRAABE division of
Walter Meier (Climate Canada) Ltd.
2740 Fenton Rd
Ottawa, ON K1T 3T7
Canada

DRAABE division of
Walter Meier (Climate USA) Inc.
826 Proctor Ave
Ottawa, ON K1T 3T7
Canada

Sales and General Inquiries
draabe@waltermeier.com
Technical and Service Inquiries
draabecare@waltermeier.com

Wiring Diagram



DRAABE division of
Walter Meier (Climate Canada) Ltd.
2740 Fenton Rd
Ottawa, ON K1T 3T7
Canada

DRAABE division of
Walter Meier (Climate USA) Inc.
826 Proctor Ave
Ottawa, ON K1T 3T7
Canada

Sales and General Inquiries
draabe@waltermeier.com
Technical and Service Inquiries
draabecare@waltermeier.com