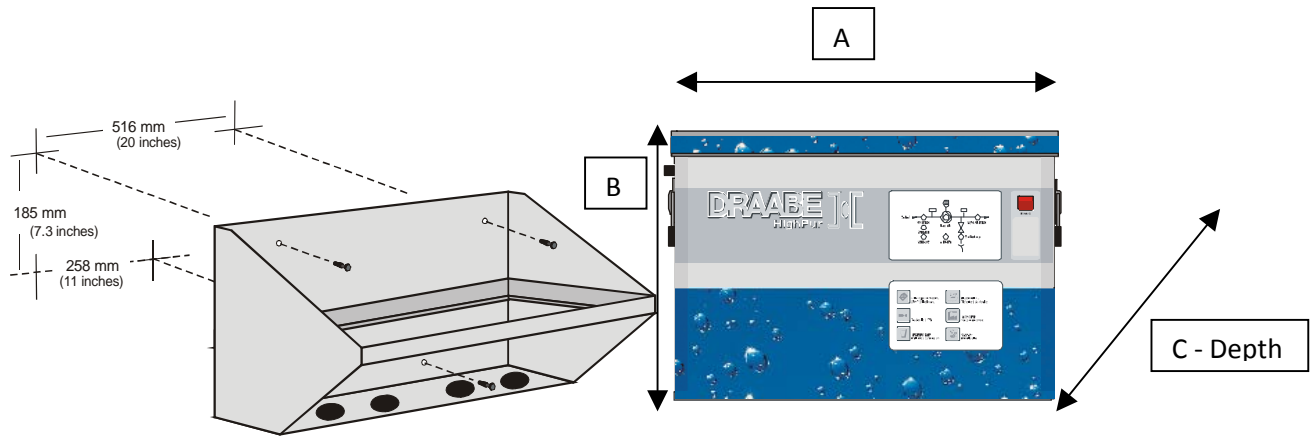


Container and Bracket Dimensional & Electrical Data



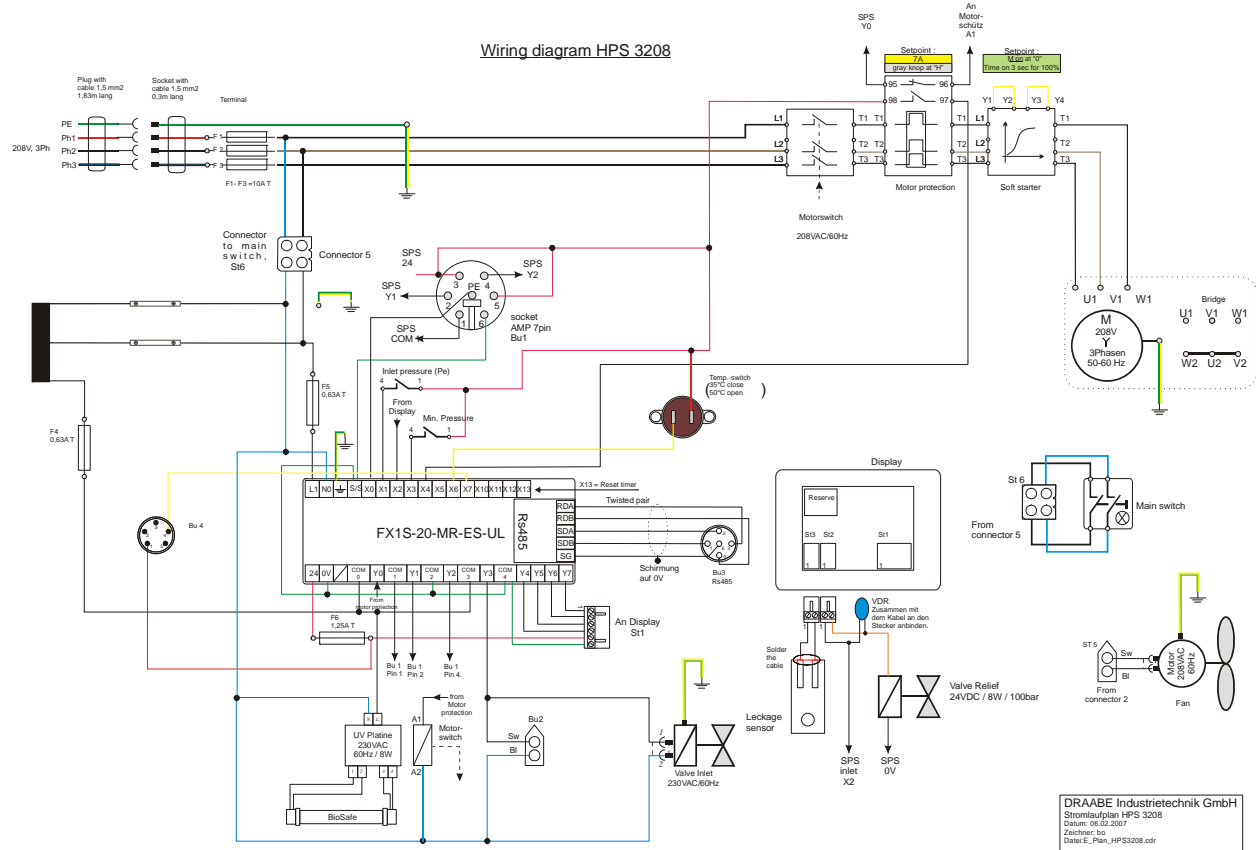
Model	HighPur HPS3208
Output Range	4-200 kg/h (8-440 lbs/h)
Operating pressure	85 bar (1,232 psi)
Dimensions	A x B x C 600 x 400 x 400 mm 23.6 x 15.8 x 15.8 inches
Clearances	Top 50 cm (20 inches) Left 40 cm (16 inches) Right 20 cm (8 inches) Bottom 120 cm (48 inches) To allow for plumbing.
Weight	52 kg 114.4 lbs
Operating voltage	208 VAC / 3P / 15 Amp Breaker Required
Power consumption	920 W
Usage	Indoor Use Only
Altitude above mean sea level	Max 6,670 ft
Ambient temperature	7-35°C (45-95°F)
Ambient humidity	Max. 80 %, avoid condensation

DRAABE division of
Walter Meier (Climate Canada) Ltd.
2740 Fenton Rd
Ottawa, ON K1T 3T7
Canada

DRAABE division of
Walter Meier (Climate USA) Inc.
826 Proctor Ave
Ottawa, ON K1T 3T7
Canada

Sales and General Inquiries
draabe@waltermeier.com
Technical and Service Inquiries
draabecare@waltermeier.com

Wiring Diagram



DRAABE division of
 Walter Meier (Climate Canada) Ltd.
 2740 Fenton Rd
 Ottawa, ON K1T 3T7
 Canada

DRAABE division of
 Walter Meier (Climate USA) Inc.
 826 Proctor Ave
 Ottawa, ON K1T 3T7
 Canada

Sales and General Inquiries
draabe@waltermeier.com
 Technical and Service Inquiries
draabecare@waltermeier.com