

IMPORTANT! Read and save these instructions. This manual to be left with the equipment.

2588788_C_EN_2008_US_SPL



SPARE PARTS LIST

Ultrasonic Humidifier
US-Series

Thank you for choosing Condair

Installation date (DD / MM / YYYY):

Commissioning date (DD / MM / YYYY):

Site:

Model:

Serial number:

Proprietary Notice

This document and the information disclosed herein are proprietary data of Condair Group AG. Neither this document, nor the information contained herein shall be reproduced, used, or disclosed to others without the written authorization of Condair Group AG, except to the extent required for installation, operation or maintenance of the customer's equipment.

Liability Notice

Condair Group AG does not accept any liability due to incorrect installation, maintenance or operation of the equipment, or due to the use of parts/components/equipment that are not authorized by Condair Group AG.

Copyright Notice

Copyright 2020, Condair Group AG, All rights reserved.

Technical modification rights reserved.

Contents

	Contents	3
1	Spare Parts List: Ultrasonic Humidifier	4
1.1	Cleaning and Disinfecting Kit	5
2	Spare Parts List: Reverse Osmosis System	6
3	Spare Parts List: Ultrasonic Blower	8

1 Spare Parts List: Ultrasonic Humidifier

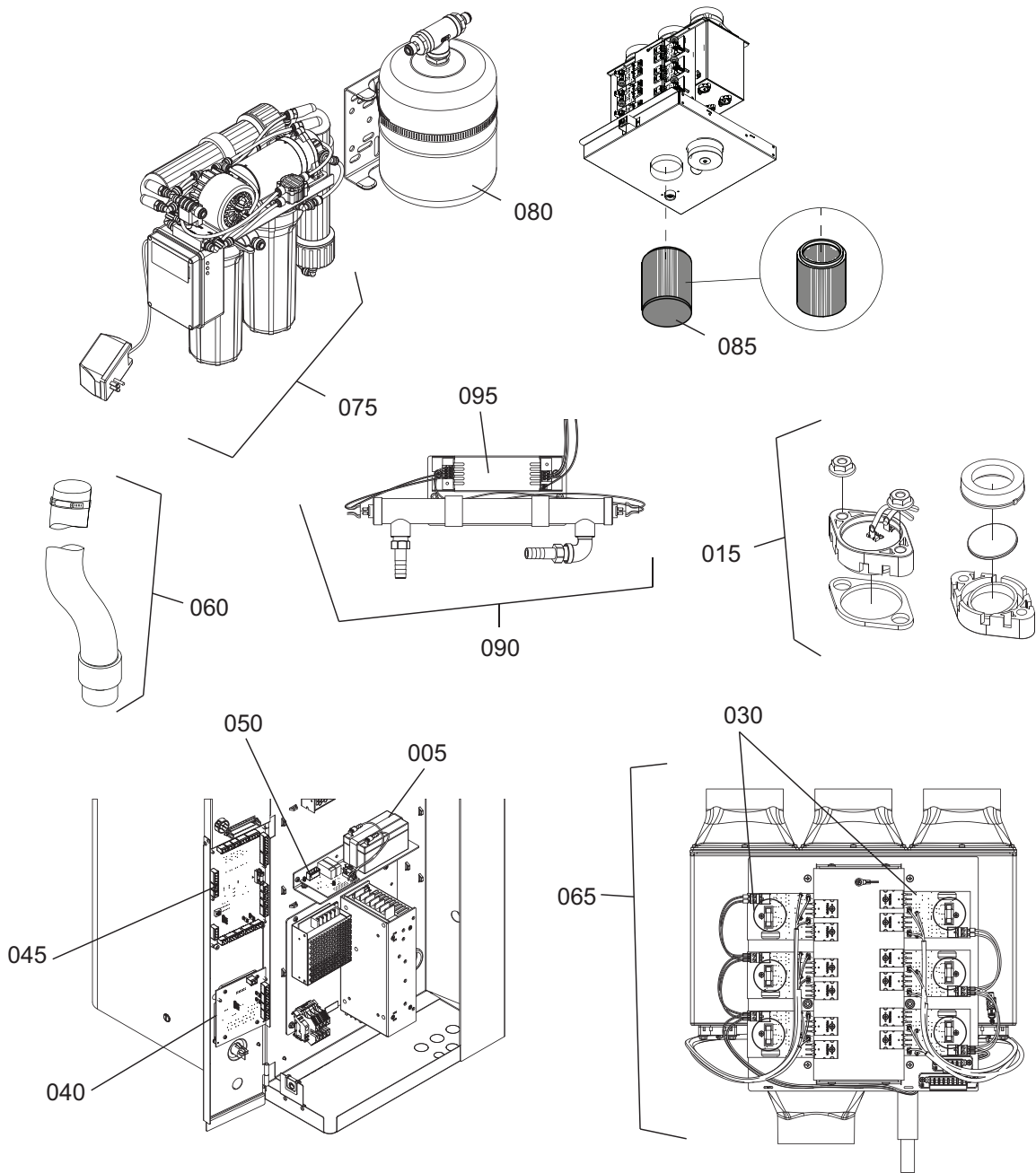


Figure 1 - US Spare Parts

Table 1: Ultrasonic Humidifier Spare Parts List (refer to [Figure 1 on the previous page](#))

Item #	Part Number	Description	Quantity Required			
			US 7	US 13	US 20	US 40
005	2594399	SP, Battery Lead-Acid, 12 V 1.2 Ah	1	1	1	1
015	2594400	SP, Transducer Kit (x4), US Humidifier	4	8	12	24
030	2594403	SP, Misting Unit Board (x2), US Humidifier	1	2	3	6
040	2594405	SP, Control Board and Display, US Humidifier	1	1	1	1
045	2594406	SP, Driver Board, US Humidifier	1	1	1	2
050	2594407	SP, Battery Pack Board, US Humidifier	1	1	1	1
N/S	2595482	SP, Blowerpack Board, UB	1	1	1	2
060	2594409	SP, Flexible Tube (x1), UB, Direct Mount	1	2	3	0
	2594413	Flexible Tube (x1), UB, Remote Mount	1	2	3	6
065	2594410	SP, Humidifier Reservoir Assembly (3L)	1	0	0	0
	2594411	SP, Humidifier Reservoir Assembly (6L)	0	1	0	0
	2594412	SP, Humidifier Reservoir Assembly (9L)	0	0	1	2
075	2594387	SP, RO Unit with Transformer, US Humidifier	1	1	1	1
080	2586532	Ultrasonic Flow Thru Tank, 2.1 gal	1	1	1	1
085	2594401	Kit, Filter, US 7-20 Humidifier	1	1	1	0
	2594995	Kit, Filter US-40 Humidifier	0	0	0	1
090	2588690	SP, UV Assembly Complete, US Humidifier	1	1	1	2
095	2588698	SP, UV Ballast, US Humidifier	1	1	1	2
N/S	2588699	SP, UV Tube Assembly, US Humidifier	1	1	1	2
N/S	2595485	SP, Fuse Kit, US Humidifier	1	1	1	1
N/S	2595486	SP, Air Intake Fan 24V	1	1	1	2
N/S	2595483	SP, Power Supply 24 VDC	1	1	1	1
N/S	2595484	SP, Power Supply 48 VDC	1	1	1	1
N/S	2594408	SP, Power Supply Assembly, UB (blowerpack)	1	1	1	2
N/S	2594402	SP, Monobed DI and Cartridge 60GPH 110V	1	1	1	1
N/S	2595819	SP, Monobed Dionizer 60GPH 110V	1	1	1	1
N/S	2595820	SP, Cartridge for Monobed Dionizer	1	1	1	1
N/S	2591510	Fill Cup Assy - US Humidifier	1	1	1	2
N/S	2594404	SP, Level Switch, US Humidifier	1	1	1	2
N/S	1510142	Humidstat, Control, 0-10 V, Dig. Wall	1	1	1	1

N/S = item not shown

1.1 Cleaning and Disinfecting Kit

Item #	Part Number	Description
N/S	2594996	Kit, Cleaning & Disinfection, US Humidifier

N/S = item not shown

2 Spare Parts List: Reverse Osmosis System

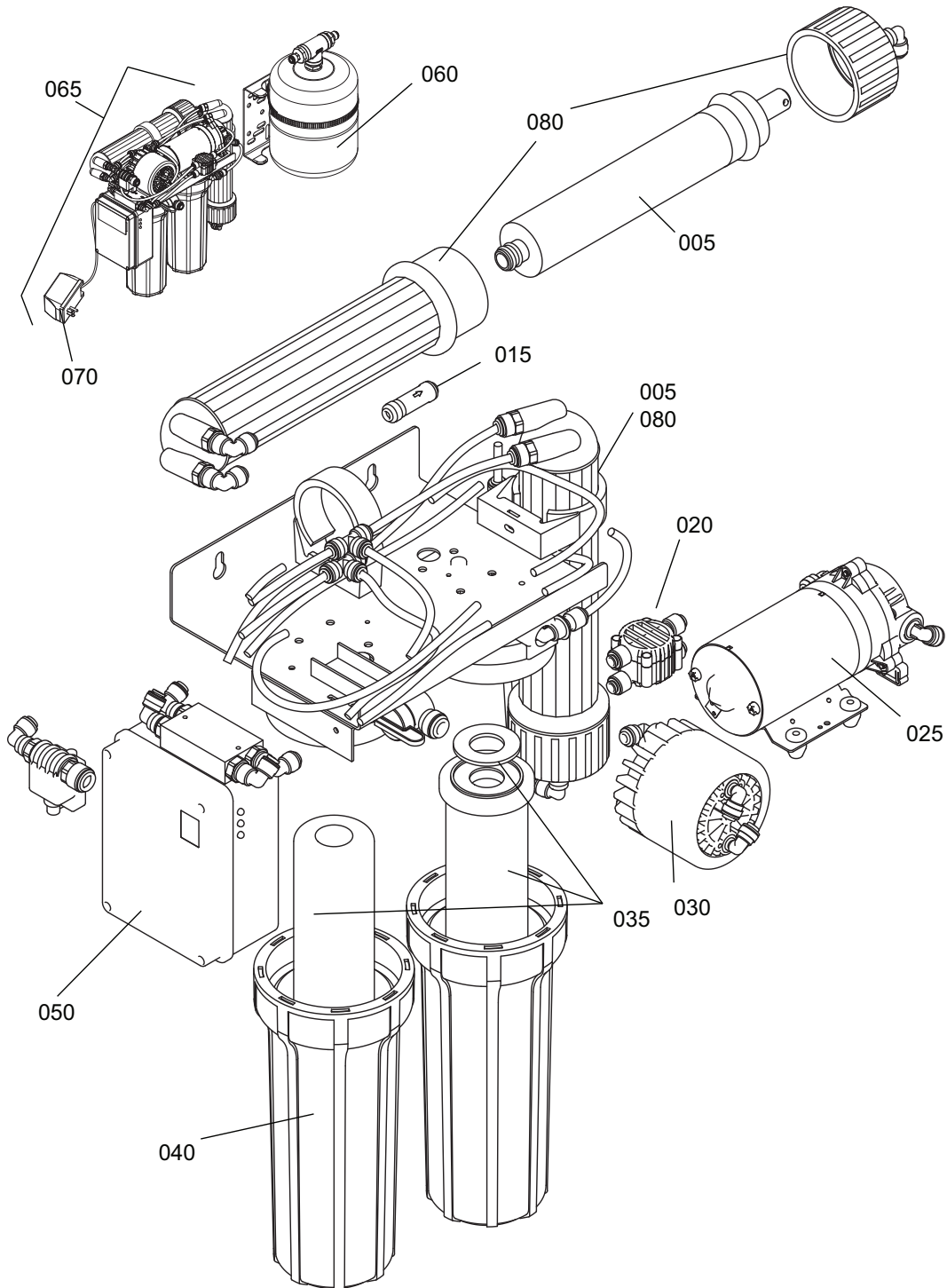


Figure 2 - RO-U Spare Parts. Refer to [Table 2 on the next page](#).

Table 2: RO-U Spare Parts List (refer to [Figure 2 on the previous page](#))

Item	Part Number	Description	Quantity
005	2594388	SP, RO membrane (x2) 100 gal, US Humidifier	1
015	2594396	SP, NoReturn Valve 0.25", US Humidifier	1
020	2594394	SP, Shut Off Valve, US Humidifier	1
025	2594395	SP, Booster pump, 24 VDC, US Humidifier	1
030	2594393	SP, Permeate pump, US Humidifier	1
035	2594386	SP, RO Filter Kits, US Humidifier	1
040	2594392	SP, Filter Holder, US Humidifier	1
050	2594390	SP, Water Safe Guard , US Humidifier	1
060	2586532	Ultrasonic FlowThru Tank 2.1 gal	1
N/S	2594398	SP, Accessories FlowThru Tank, US RO	1
065	2594387	SP, RO Unit with Transformer, US Humidifier	1
070	2594391	SP, Transformer 120V to 24V / 40VA	1
080	2594397	SP, RO Membrane Holder, US Humidifier	1
N/S	2594389	SP, Shut off valve, 24 VDC, US Humidifier	1
N/S = item not shown			

3 Spare Parts List: Ultrasonic Blower

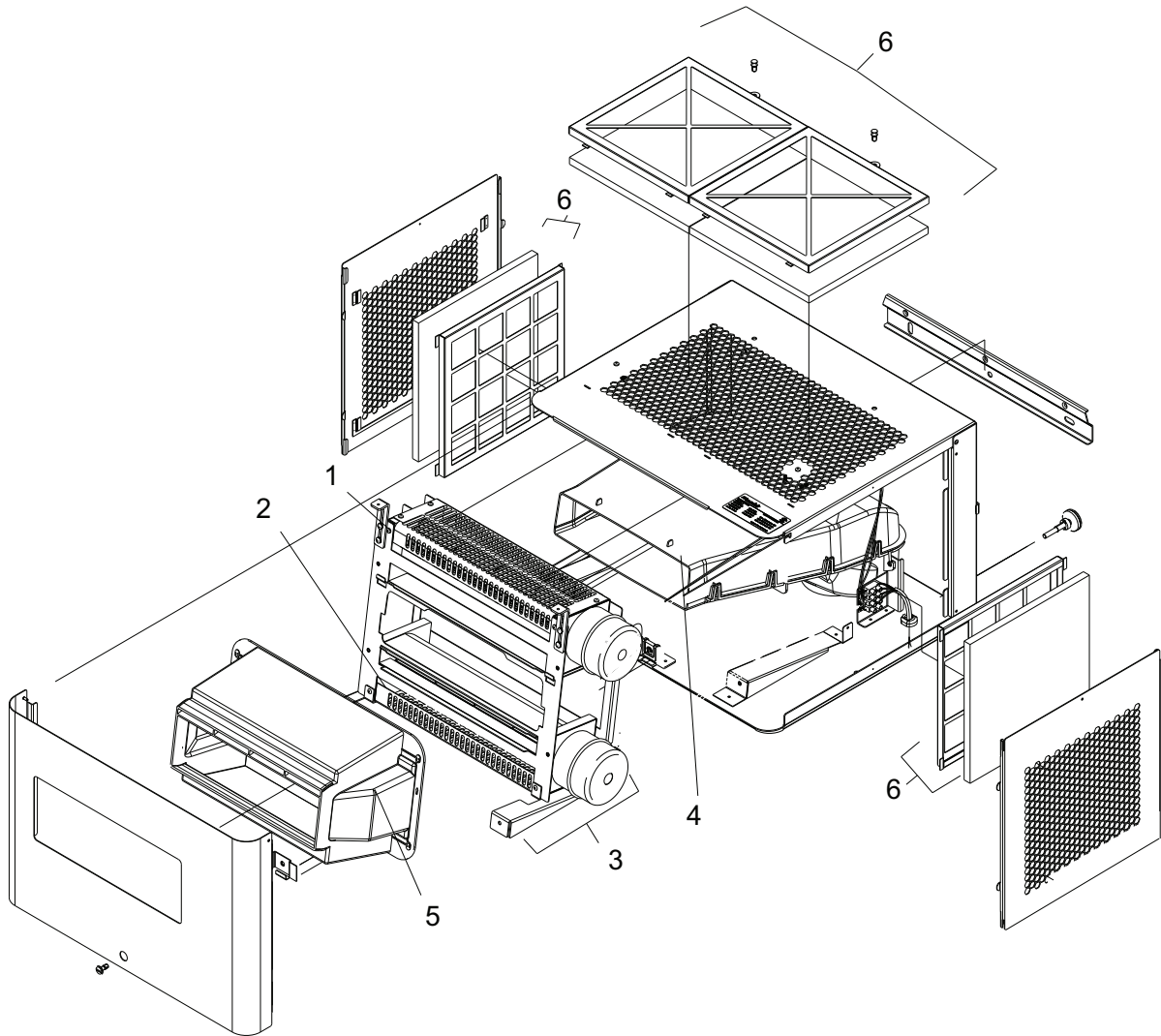
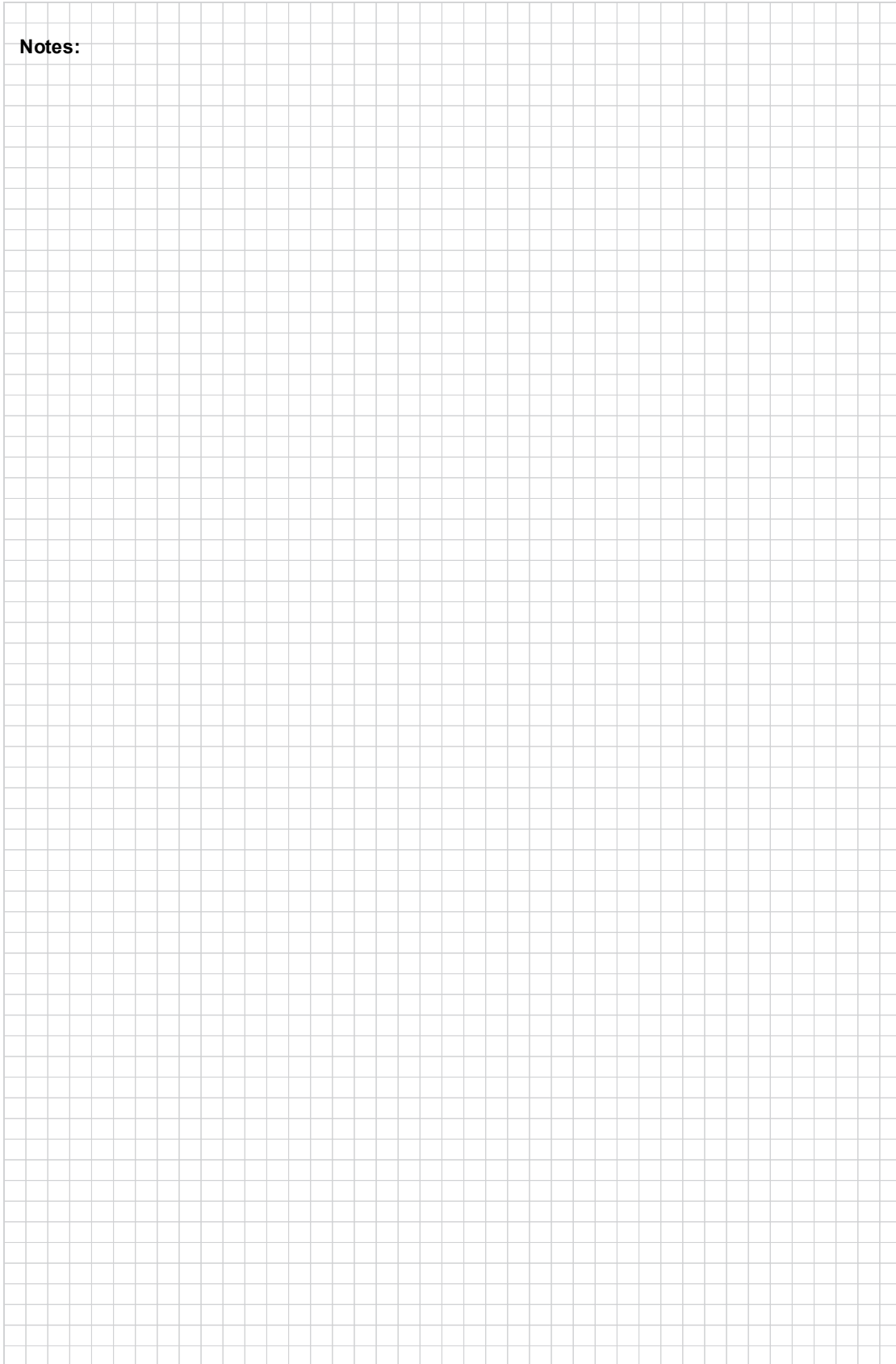


Figure 3 - Ultrasonic Blower Pack Spare Parts. Refer to [Table 3](#) below.

Table 3: Ultrasonic Blower Pack Spare Parts List

Item	Part Number	Description	Quantity
1	2588752	SP, Fan 1, BP, US Humidifier	1
2	2588753	SP, Fan 2, NP, US Humidifier	1
3	2588754	SP, Fan Assembly, BP, US Humidifier	1
4	2588755	SP, Mist Channel, BP, UB-20	1
	2588757	SP, Mist Channel, BP, UB-13	1
	2588758	SP, Mist Channel, BP, UB-07	1
5	2588756	SP, Pressurized Box, BP, US Humidifier	1
6	2588764	SP, Filter Set, BP, US Humidifier	1

Notes:



Warranty

Condair Inc. and/or Condair Ltd. (hereinafter collectively referred to as THE COMPANY), warrant for a period of two years after installation or 30 months from manufacturer's ship date, whichever date is earlier, that THE COMPANY's manufactured and assembled products, not otherwise expressly warranted, are free from defects in material and workmanship. No warranty is made against corrosion, deterioration, or suitability of substituted materials used as a result of compliance with government regulations.

THE COMPANY's obligations and liabilities under this warranty are limited to furnishing replacement parts to the customer, F.O.B. THE COMPANY's factory, providing the defective part(s) is returned freight prepaid by the customer. Parts used for repairs are warranted for the balance of the term of the warranty on the original humidifier or 90 days, whichever is longer.

The warranties set forth herein are in lieu of all other warranties expressed or implied by law. No liability whatsoever shall be attached to THE COMPANY until said products have been paid for in full and then said liability shall be limited to the original purchase price for the product. Any further warranty must be in writing, signed by an officer of THE COMPANY.

THE COMPANY's parts or materials that are considered consumables, including but not limited to: cylinders, filters, nozzles, membranes, media, gaskets, O-rings, etc. are NOT covered by the warranty.

THE COMPANY makes no warranty and assumes no liability unless the equipment is installed in strict accordance with a copy of the catalog and installation manual in effect at the date of purchase and by a contractor approved by THE COMPANY to install such equipment.

THE COMPANY makes no warranty and assumes no liability whatsoever for consequential damage or damage resulting directly from misapplication, incorrect sizing or lack of proper maintenance of the equipment.

THE COMPANY makes no warranty and assumes no liability whatsoever for damage resulting from freezing of the humidifier, supply lines, drain lines, or quality of the water used.

THE COMPANY retains the right to change the design, specification and performance criteria of its products without notice or obligation.

THE COMPANY's limited warranty on accessories, not of the companies manufacture, such as controls, humidistats, pumps, etc. is limited to the warranty of the original equipment manufacturer from date of original shipment of humidifier.

Extended Warranty

Extended warranties are available to purchase under the conditions listed above.



CONSULTING, SALES, AND SERVICE:

CANADA

2740 Fenton Road
Ottawa, ON, K1T 3T7

U.S.A.

826 Proctor Avenue
Ogdensburg, NY 13669

Tel: 1.866.667.8321
Fax: 613.822.7964
na.info@condair.com
www.condair.com

